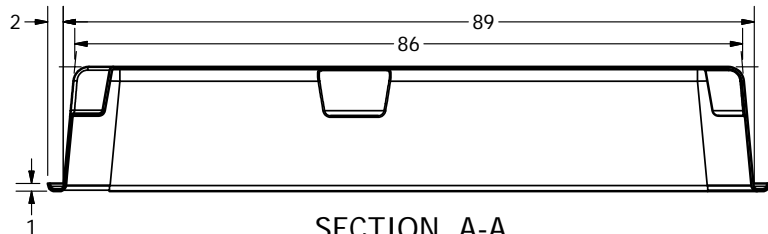
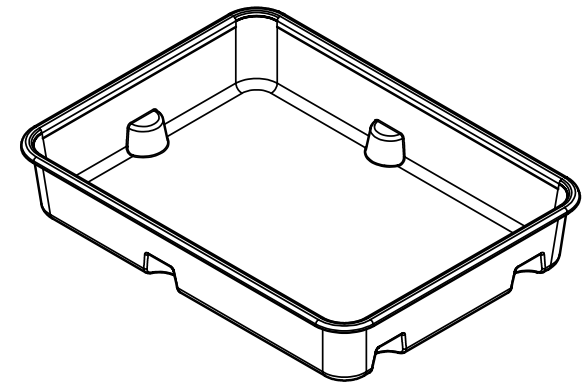



SECTION B-B  
SCALE 1:16



SECTION A-A  
SCALE 1:16

DRAWN Jerry Paulson	4/4/2008		
CHECKED		NORWESCO, INC., ST. BONIFACIUS, MN	
QA		TITLE	
MFG		360 GALLON CONTAINMENT BASIN	
APPROVED		SIZE B	REV
		DWG NO	
		SCALE: 1/16	SHEET 1 OF 1